

Your guide to Waiheke Island's waste services



Let's work together to reduce waste.

Recycling made easy

Your 240-litre yellow or blue lidded wheelie bin is for recycling, which is collected every two weeks.

- You can recycle plastic, glass, metal and cardboard packaging containers from the kitchen, bathroom and laundry, as well as paper and cardboard.
- Simply place items all emptied, clean and loose into your recycling bin.
- Please don't put plastic bags in your Auckland Council recycling bin – they get caught in the sorting machines. You may be able to drop these to collections points at local participating retailers. Otherwise they should go in your rubbish bin.



Some helpful recycling tips

- Rinse all containers.
- Leave the lids on all bottles and containers.
- Include paper, cardboard, milk and juice cartons e.g. Tetra Pak cartons in your recycling bin.
- Containers should be no larger than four litres.
- Your bin lid must be fully closed. If you have too much recycling for your bin you can take it to the Waiheke Community Resource Recovery Park.
- Please do not place plastic bags or polystyrene inside your recycling bin.

For a full list of what can and can't go in your recycling bin use our recycling search tool at aucklandcouncil.govt.nz

Are you a *Recycling Legend*

Take the challenge and play the game. Visit recycleright.co.nz

Yes please!



plastic bottles



plastic bottles from the bathroom and laundry



plastic containers



clear plastic food containers



glass bottles and jars



aluminium cans and empty aerosols



milk and juice cartons e.g Tetra Pak® cartons



steel and tin cans



advertising mail and envelopes



newspapers and magazines



paper and cardboard packaging



egg cartons

No thanks!



plastic bags (full or empty)



food and garden waste



hazardous waste and chemicals



polystyrene meat trays and packaging



all types of batteries



nappies



clothing, shoes and textiles



window glass, mirror glass and lightbulbs



cookware, Pyrex and drinking glasses



electronic and electrical items



building waste



medical waste

Rubbish

Your 120-litre red lidded wheelie bin or Auckland Council rubbish bag allocation is for all your kerbside rubbish collection that ends up in landfill. This is collected every week.

Once you've reduced, reused, and recycled all you can, what's left goes in your rubbish bin or bag. Sort your general rubbish into your rubbish bin or an Auckland Council rubbish bag. Please place your rubbish bin and / or rubbish bag(s) out by 7am on the collection day unless otherwise stated.



All properties eligible for a rubbish collection service that choose to remain with rubbish bags will receive a bag allocation letter which entitles them to collect an annual allocation of rubbish bags from an official outlet.

You can purchase additional 60L Auckland Council rubbish bags at your local supermarkets during opening hours, Waiheke Island Service Centre from Monday to Friday 8:30am – 4:30pm and Waiheke Island Library from Monday to Friday 9am – 6pm and Saturday / Sunday 10:30am to 4pm.

On your collection day

- Leave your bin or bag as close as you can to the roadside, clear of the edge of the roadside and clear of other bins.
- Place your bin or bag away from signs, lamp posts, trees and parked cars.
- Make sure your bin is not overfull and that the lid is fully closed.
- Make sure your bag is a safe carry weight, of no more than 10kg.
- Place your bin or bag out by 7am on your collection day. Remember your collection is usually one day later after a public holiday. Want to get a txt message to remind you before every public holiday? Visit aucklandcouncil.govt.nz search 'public holidays' and never miss a collection day again.
- Wrap any broken glass or sharp objects before putting them in the rubbish.
- Remember if you don't put your rubbish or recycling out right, it may not be collected.
- For information about loss of a bin, damage to a bin, or collection day changes, please visit aucklandcouncil.govt.nz or call 09 301 0101.

Garden Waste

Garden waste cannot be disposed of in rubbish bags or recycling bins used for roadside collections. Green waste can be dropped off to the Waiheke Community Resource Recovery Park or you can book a green waste collector to pick up and dispose of it. All commercial green waste must be dropped off to Greenacres Waiheke. Reduce garden waste by:

- Mulching your lawn clippings and woody waste.
- Recycling your grass clippings by leaving them on the lawn after mowing, to return vital nutrients to the soil.
- Cutting only the top third of the grass each time.
- Replanting sections of your lawn with slow growing native ground covers.

Garden waste is grass clippings, branches, weeds, plants and wood.

Food Scraps resources

Your food scraps or para kai can be a valuable resource!

Food scraps are full of valuable nutrients, nitrogen and carbon.

They can be made into compost then used to feed soil that in turn grows more plants and vegetables. Collecting and composting food scraps or para kai means less rubbish goes to the landfill.

Food scraps can be put to good use and turned into compost, keeping resources out of landfill.

On average each Aucklanders sends about 160kg of rubbish to landfill every year.

- Of this, 65% can be avoided or put to better use.
- Up to 45% of rubbish is food scraps or para kai.

Have you thought about trying a worm farm, compost bin, or bokashi bin? It is a great way to keep the goodness in your garden.

Visit compostcollective.org.nz to find out more.





For great ideas on how to reduce food waste visit lovefoodhatewaste.co.nz

Hazardous Household Waste

Hazardous household waste is unwanted household products and chemicals that can potentially harm people's health or pollute the environment. Hazardous waste often has labels such as 'warning', 'caution', 'danger', 'poison' or 'do not dispose of with household rubbish'.

Hazardous waste must NOT be put out with your household rubbish.

The best way to manage hazardous waste is to eliminate or reduce its use wherever possible.

- Use safer products in the house, garden and shed. It's amazing how effective non-hazardous materials like baking soda, vinegar and borax are.
- Only buy as much of a hazardous product as you need.
- Consider ways to reduce the use of chemicals in the garden.
- Buy environmentally friendly products. Look out for the New Zealand Environmental Choice logo.
- Don't leave your old chemicals, oils or paint behind if you are moving house. Make sure you take them to a drop-off point.

It is important to dispose of hazardous waste such as batteries, gas cylinders, home or garden chemicals and paint carefully. You may be able to take hazardous waste, depending on what it is, to the Waiheke Community Resource Recovery Park:

Waiheke Community Resource Recovery Park
108 -110 Ostend Road, Waiheke Island, 09 372 1070

Visit aucklandcouncil.govt.nz to check what types of hazardous waste are accepted before you go.

Inorganic Collections

Have an annual clean out and book your inorganic collection today. Encourage your friends, family, and neighbours to do the same.

An inorganic collection happens once a year and is designed to reduce the amount of material sent to landfill. When we collect your inorganic items, we save anything we can repair, repurpose or reuse. With your support, we can all work together to help Waiheke achieve zero waste to landfill by 2040.

You can book an inorganic collection in the way that works best for you:

- Online at aucklandcouncil.govt.nz/inorganic
- Over the phone at **09 301 0101**.
- Visit the Waiheke Island Service Centre.

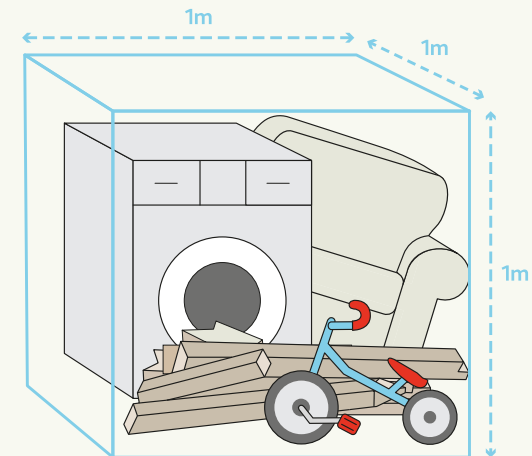
We will notify you one week before your collection week, so if you decide you no longer need a collection, you have time to cancel it.

Once you have all your inorganic items together, please check:

- Items are easy to access within the boundary of your property.
- There is no more than one cubic metre of material.

Don't delay, book your inorganic collection today.

Find out more at aucklandcouncil.govt.nz/inorganic





Illegal Dumping

See it, report it! Call us on 0800 NO DUMP

If you see dumped rubbish on public property, **call 0800 NO DUMP (0800 663 867)** 24 hours a day, seven days a week.

Offenders caught illegally dumping rubbish will be ordered to remove the rubbish and may be issued with a fine of up to **\$30,000**.

Rubbish, recycling and inorganic collections are a step towards achieving a zero-waste future. By recycling every fortnight, putting your rubbish bin out only when it's full, and using the inorganic collection when you need it, we'll reduce the amount of waste going to landfill.

Your rubbish is your responsibility. Dumping rubbish is illegal.

If you've got items that are unsuitable for your rubbish or recycling collection, we can help you find the best way to get rid of them.

Let's take pride in our island.

Find out more at aucklandcouncil.govt.nz